

## DatasheetDirect.com

*Your dedicated source for free downloadable datasheets.*

- Over one million datasheets
- Optimized search function
- Rapid quote option
- Free unlimited downloads

Visit [www.datasheetdirect.com](http://www.datasheetdirect.com) to get your free datasheets.

This datasheet has been downloaded by <http://www.datasheetdirect.com/>

# TL080 THRU TL085, TL080A THRU TL084A TL081B, TL082B, TL084B JFET-INPUT OPERATIONAL AMPLIFIERS

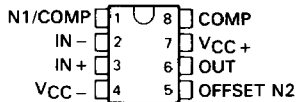
D2297, FEBRUARY 1977—REVISED NOVEMBER 1988

## 24 DEVICES COVER MILITARY, INDUSTRIAL AND COMMERCIAL TEMPERATURE RANGES

- Low-Power Consumption
- Wide Common-Mode and Differential Voltage Ranges
- Low Input Bias and Offset Currents
- Output Short-Circuit Protection
- Low Total Harmonic Distortion . . . 0.003% Typ
- High Input Impedance . . . JFET-Input Stage
- Internal Frequency Compensation (Except TL080, TL080A)
- Latch-Up-Free Operation
- High Slew Rate . . . 13 V/ $\mu$ s Typ
- Common-Mode Input Voltage Range Includes VCC+

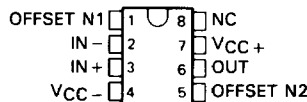
TL080, TL080A  
D, JG, OR P PACKAGE

(TOP VIEW)



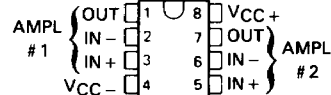
TL081, TL081A, TL081B  
D, JG, OR P PACKAGE

(TOP VIEW)



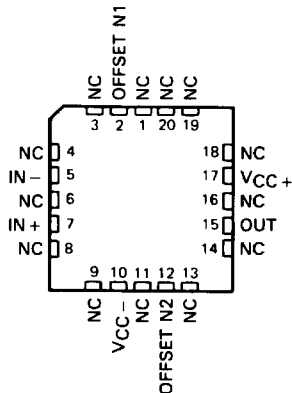
TL082, TL082A, TL082B  
D, JG, OR P PACKAGE

(TOP VIEW)



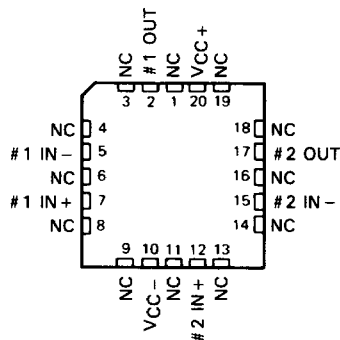
TL081M . . . FK CHIP CARRIER PACKAGE

(TOP VIEW)



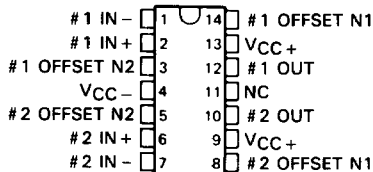
TL082M . . . FK CHIP CARRIER PACKAGE

(TOP VIEW)



TL083, TL083A  
D, J, OR N PACKAGE

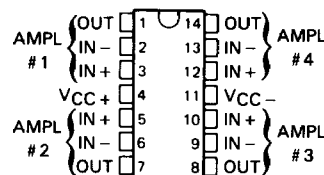
(TOP VIEW)



Pins 9 and 13 are internally interconnected

TL084, TL084A, TL084B  
D, J, OR N PACKAGE

(TOP VIEW)



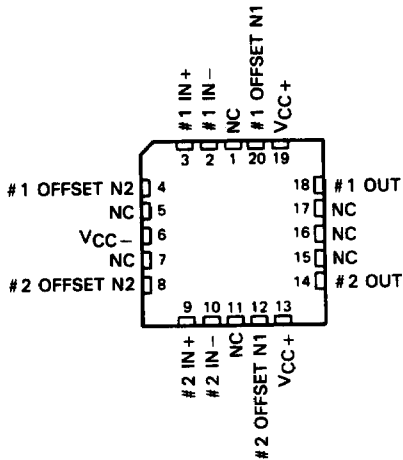
2  
Operational Amplifiers

NC—No internal connection

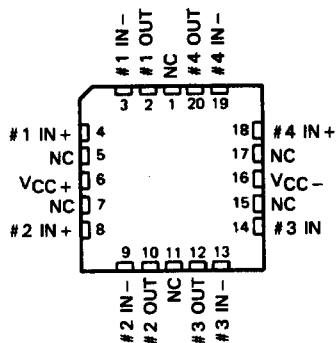
PRODUCTION DATA documents contain information current as of publication date. Products conform to specifications per the terms of Texas Instruments standard warranty. Production processing does not necessarily include testing of all parameters.

# TL080 THRU TL085, TL080A THRU TL084A TL081B, TL082B, TL084B JFET-INPUT OPERATIONAL AMPLIFIERS

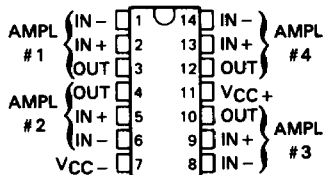
TL083M . . . FK CHIP CARRIER PACKAGE  
(TOP VIEW)



TL084M . . . FK CHIP CARRIER PACKAGE  
(TOP VIEW)

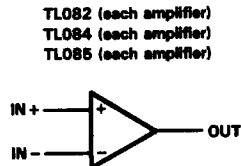
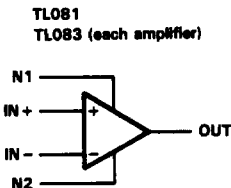
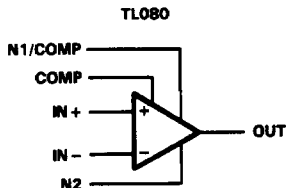


TL085  
N PACKAGE  
(TOP VIEW)



NC—No internal connection

## symbols



2  
Operational Amplifiers

**TL080 THRU TL085, TL080A THRU TL084A  
TL081B, TL082B, TL084B  
JFET-INPUT OPERATIONAL AMPLIFIERS**

**description**

The TL08\_\_ JFET-input operational amplifier family is designed to offer a wider selection than any previously developed operational amplifier family. Each of these JFET-input operational amplifiers incorporates well-matched, high-voltage JFET and bipolar transistors in a monolithic integrated circuit. The devices feature high slew rates, low input bias and offset currents, and low offset voltage temperature coefficient. Offset adjustment and external compensation options are available within the TL08\_\_ family.

Device types with an "M" suffix are characterized for operation over the full military temperature range of -55°C to 125°C, those with an "I" suffix are characterized for operation from -40°C to 85°C, and those with a "C" suffix are characterized for operation from 0°C to 70°C.

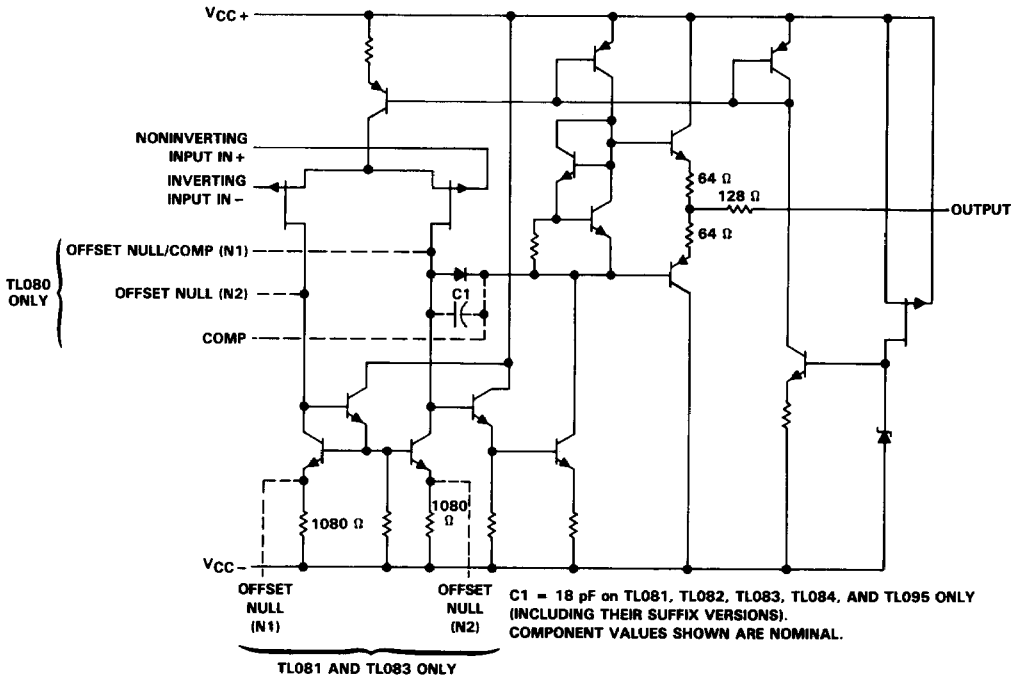
**AVAILABLE OPTIONS**

T <sub>A</sub>	V <sub>IO</sub> MAX AT 25°C	PACKAGE					
		SMALL OUTLINE (D)	CHIP CARRIER (FK)	CERAMIC DIP (J)	CERAMIC DIP (JG)	PLASTIC DIP (N)	PLASTIC DIP (P)
0°C TO 70°C	15 mV	TL080CD			TL080CJG		TL080CP
	6 mV	TL080ACD			TL080ACJG		TL080ACP
	15 mV	TL081CD			TL081CJG		TL081CP
	6 mV	TL081ACD			TL081ACJG		TL081ACP
	3 mV	TL081BCD			TL081BCJG		TL081BCP
	15 mV	TL082CD			TL082CJG		TL082CP
	6 mV	TL082ACD			TL082ACJG		TL082ACP
	3 mV	TL082BCD			TL082BCJG		TL082BCP
	15 mV	TL083CD		TL083CJ		TL083CN	
	6 mV	TL083ACD		TL083ACJ		TL083ACN	
	15 mV	TL084CD		TL084CJ		TL084CN	
	6 mV	TL084ACD		TL084ACJ		TL084ACN	
	3 mV	TL084BCD		TL084BCJ		TL084BCN	
	15 mV					TL085CN	
	-40°C TO 85°C	6 mV	TL080ID			TL080IJG	
6 mV		TL081ID			TL081IJG		TL081IP
6 mV		TL082ID			TL082IJG		TL082IP
6 mV		TL083ID		TL083IJ		TL083IN	
6 mV		TL084ID		TL084IJ		TL084IN	
-55°C TO 125°C	6 mV		TL081MFK		TL080MJG		
	6 mV		TL082MFK		TL081MJG		
	6 mV		TL083MFK	TL083MJ	TL082MJG		
	6 mV		TL084MFK	TL084MJ			
	9 mV						

The D package is available taped and reeled. Add "R" suffix to device type (e.g., TL080CDR).

**TL080 THRU TL085, TL080A THRU TL084A  
TL081B, TL082B, TL084B  
JFET-INPUT OPERATIONAL AMPLIFIERS**

schematic (each amplifier)



absolute maximum ratings over operating free-air temperature range (unless otherwise noted)

	TL08_M	TL08_I	TL08_C TL08_AC TL08_BC	UNIT
Supply voltage, VCC+ (see Note 1)	18	18	18	V
Supply voltage, VCC- (see Note 1)	-18	-18	-18	V
Differential input voltage (see Note 2)	±30	±30	±30	V
Input voltage (see Notes 1 and 3)	±15	±15	±15	V
Duration of output short circuit (see Note 4)	unlimited	unlimited	unlimited	
Continuous total dissipation	See Dissipation Rating Table			
Operating free-air temperature range	-55 to 125	-40 to 85	0 to 70	°C
Storage temperature range	-65 to 150	-65 to 150	-65 to 150	°C
Case temperature for 60 seconds	FK package			°C
Lead temperature 1,6 mm (1/16 inch) from case for 60 seconds	J or JG package	300	300	°C
Lead temperature 1,6 mm (1/16 inch) from case for 10 seconds	D, N, or P package		260	°C

- NOTES: 1. All voltage values, except differential voltages, are with respect to the midpoint between VCC+ and VCC-.  
2. Differential voltages are at the noninverting input terminal with respect to the inverting input terminal.  
3. The magnitude of the input voltage must never exceed the magnitude of the supply voltage or 15 V, whichever is less.  
4. The output may be shorted to ground or to either supply. Temperature and/or supply voltages must be limited to ensure that the dissipation rating is not exceeded.

**TL080 THRU TL085, TL080A THRU TL084A  
TL081B, TL082B, TL084B  
JFET-INPUT OPERATIONAL AMPLIFIERS**

**DISSIPATION RATING TABLE**

PACKAGE	$T_A \leq 25^\circ\text{C}$ POWER RATING	DERATING FACTOR	DERATE ABOVE $T_A$	$T_A = 70^\circ\text{C}$ POWER RATING	$T_A = 85^\circ\text{C}$ POWER RATING	$T_A = 125^\circ\text{C}$ POWER RATING
D (8 Pin)	680 mW	5.8 mW/°C	32°C	464 mW	377 mW	N/A
D (14 Pin)	680 mW	7.6 mW/°C	60°C	608 mW	494 mW	N/A
FK	680 mW	11.0 mW/°C	88°C	680 mW	680 mW	275 mW
J (TL08_M)	680 mW	11.0 mW/°C	88°C	680 mW	680 mW	275 mW
J (all others)	680 mW	8.2 mW/°C	67°C	656 mW	533 mW	N/A
JG (TL08_M)	680 mW	8.4 mW/°C	69°C	672 mW	546 mW	210 mW
JG (all others)	680 mW	6.6 mW/°C	47°C	528 mW	429 mW	N/A
N	680 mW	9.2 mW/°C	76°C	680 mW	598 mW	N/A
P	680 mW	8.0 mW/°C	65°C	640 mW	520 mW	N/A

2

electrical characteristics,  $V_{CC\pm} = \pm 15\text{ V}$  (unless otherwise noted)

PARAMETER	TEST CONDITIONS†		TL080M, TL081M TL082M, TL083M			TL084M			UNIT
			MIN	TYP	MAX	MIN	TYP	MAX	
			$V_{IO}$	Input offset voltage	$V_O = 0,$ $R_S = 50\ \Omega$	$T_A = 25^\circ\text{C}$		3	
			$T_A = -55^\circ\text{C}$ to $125^\circ\text{C}$		9		15		
$\alpha_{VIO}$	Temperature coefficient of input offset voltage	$V_O = 0,$ $T_A = -55^\circ\text{C}$ to $125^\circ\text{C}$	$R_S = 50\ \Omega,$		18		18		$\mu\text{V}/^\circ\text{C}$
$I_{IO}$	Input offset current‡	$V_O = 0$	$T_A = 25^\circ\text{C}$		5	100	5	100	pA
			$T_A = 125^\circ\text{C}$		20		20		nA
$I_{IB}$	Input bias current‡	$V_O = 0$	$T_A = 25^\circ\text{C}$		30	200	30	200	pA
			$T_A = 125^\circ\text{C}$		50		50		nA
$V_{ICR}$	Common-mode input voltage range	$T_A = 25^\circ\text{C}$	-12		±11		to 15		V
$V_{OM}$	Maximum peak output voltage swing	$T_A = 25^\circ\text{C},$ $T_A = -55^\circ\text{C}$ to $125^\circ\text{C}$	$R_L = 10\ \text{k}\Omega$		±12	±13.5	±12 ±13.5		V
			$R_L \geq 10\ \text{k}\Omega$		±12		±12		
			$R_L \geq 2\ \text{k}\Omega$		±10 ±12		±10 ±12		
$A_{VD}$	Large-signal differential voltage amplification	$V_O = \pm 10\ \text{V},$ $T_A = 25^\circ\text{C}$	$R_L \geq 2\ \text{k}\Omega,$		25	200	25	200	V/mV
		$V_O = \pm 10\ \text{V},$ $T_A = -55^\circ\text{C}$ to $125^\circ\text{C}$	$R_L \geq 2\ \text{k}\Omega,$		15		15		
$B_1$	Unity-gain bandwidth	$T_A = 25^\circ\text{C}$			3		3		MHz
$r_i$	Input resistance	$T_A = 25^\circ\text{C}$			$10^{12}$		$10^{12}$		$\Omega$
CMRR	Common-mode rejection ratio	$V_{IC} = V_{ICR\ min},$ $R_S = 50\ \Omega,$	$V_O = 0,$ $T_A = 25^\circ\text{C}$		80	86	80	86	dB
kSVR	Supply voltage rejection ratio ( $\Delta V_{CC\pm}/\Delta V_{IO}$ )	$V_{CC} = \pm 15\ \text{V}$ to $\pm 9\ \text{V},$ $R_S = 50\ \Omega,$	$V_O = 0,$ $T_A = 25^\circ\text{C}$		80	86	80	86	dB
$I_{CC}$	Supply current (per amplifier)	No load, $T_A = 25^\circ\text{C}$	$V_O = 0,$		1.4	2.8	1.4	2.8	mA
$V_{O1}/V_{O2}$	Crosstalk attenuation	$A_{VD} = 100,$	$T_A = 25^\circ\text{C}$		120		120		dB

† All characteristics are measured under open-loop conditions with zero common-mode input voltage unless otherwise specified.

‡ Input bias currents of a FET-input operational amplifier are normal junction reverse currents, which are temperature sensitive as shown in Figure 18. Pulse techniques must be used that will maintain the junction temperatures as close to the ambient temperature as is possible.

Operational Amplifiers

**TL080 THRU TL085, TL080A THRU TL084A  
TL081B, TL082B, TL084B  
JFET-INPUT OPERATIONAL AMPLIFIERS**

electrical characteristics,  $V_{CC} \pm = \pm 15$  V (unless otherwise noted)

PARAMETER	TEST CONDITIONS†	TL080I			TL080C			TL080AC			TL081BC			UNIT
		MIN	TYP	MAX	MIN	TYP	MAX	MIN	TYP	MAX	MIN	TYP	MAX	
$V_{IO}$ Input offset voltage	$V_O = 0$ , $R_S = 50 \Omega$	3	6	6	3	15	3	6	6	3	6	3	3	mV
	$T_A = 25^\circ\text{C}$ $T_A = \text{full range}$			9		20			7.5				5	
Temperature coefficient of input offset voltage	$V_O = 0$ , $T_A = \text{full range}$	18			18			18			18		18	$\mu\text{V}/^\circ\text{C}$
	$R_S = 50 \Omega$													
$I_{IO}$ Input offset current†	$V_O = 0$	5	100	10	5	200	2	5	100	5	100	5	100	pA
	$T_A = 25^\circ\text{C}$ $T_A = \text{full range}$													
$I_{IB}$ Input bias current†	$V_O = 0$	30	200	20	30	400	10	30	200	30	200	30	200	pA
	$T_A = 25^\circ\text{C}$ $T_A = \text{full range}$													
$V_{ICR}$ Common-mode input voltage range	$T_A = 25^\circ\text{C}$	$\pm 11$	to	15	$\pm 11$	to	15	$\pm 11$	to	15	$\pm 11$	to	15	V
	$T_A = 25^\circ\text{C}$ , $R_L = 10 \text{ k}\Omega$	$\pm 12$	$\pm 13.5$		$\pm 12$	$\pm 13.5$		$\pm 12$	$\pm 13.5$		$\pm 12$	$\pm 13.5$		
$V_{OM}$ Maximum peak output voltage swing	$T_A = 25^\circ\text{C}$ , $R_L = 10 \text{ k}\Omega$	$\pm 12$	$\pm 13.5$		$\pm 12$	$\pm 13.5$		$\pm 12$	$\pm 13.5$		$\pm 12$	$\pm 13.5$		V
	$T_A = \text{full range}$	$\pm 12$			$\pm 12$			$\pm 12$			$\pm 12$			
$\Delta V_D$ Large-signal differential voltage amplification	$V_O = \pm 10$ V, $R_L \geq 2 \text{ k}\Omega$ , $T_A = 25^\circ\text{C}$	50	200	25	200	200	25	200	200	50	200	200	25	V/mV
	$V_O = \pm 10$ V, $R_L \geq 2 \text{ k}\Omega$ , $T_A = \text{full range}$	25		15			25			25			25	
$B_1$ Unity-gain bandwidth	$T_A = 25^\circ\text{C}$	3		3	3		3		3	3		3	MHz	
$f_T$ Input resistance	$T_A = 25^\circ\text{C}$	10	12		10	12		10	12	10	12	10	12	$\Omega$
	Common-mode													
CMRR rejection ratio	$V_{IC} = V_{ICR \text{ min}}$ , $V_O = 0$ , $R_S = 50 \Omega$ , $T_A = 25^\circ\text{C}$	80	86	70	86	70	86	80	86	80	86	80	86	dB
	Supply voltage rejection ratio													
$k_{SVR}$ Supply voltage rejection ratio ( $\Delta V_{CC} \pm / \Delta V_{IO}$ )	$V_{CC} = \pm 15$ V to $\pm 9$ V, $V_O = 0$ , $R_S = 50 \Omega$ , $T_A = 25^\circ\text{C}$	80	86	70	86	70	86	80	86	80	86	80	86	dB
	No load, $V_O = 0$													
$I_{CC}$ Supply current (per amplifier)	No load, $V_O = 0$	1.4	2.8	1.4	2.8	1.4	2.8	1.4	2.8	1.4	2.8	1.4	2.8	mA
	$T_A = 25^\circ\text{C}$													
$V_{O1}/V_{O2}$ Crosstalk attenuation	$\Delta V_D = 100$ , $T_A = 25^\circ\text{C}$	120		120	120		120		120	120		120		dB

† All characteristics are measured under open-loop conditions with zero common-mode input voltage unless otherwise specified. Full range for  $T_A$  is  $-40^\circ\text{C}$  to  $85^\circ\text{C}$  for TL080–I and  $0^\circ\text{C}$  to  $70^\circ\text{C}$  for TL080–C, TL080–AC, and TL080–BC.

‡ Input bias currents of a JFET-input operational amplifier are normal junction reverse currents, which are temperature sensitive as shown in Figure 18. Pulse techniques must be used that will maintain the junction temperatures as close to the ambient temperature as is possible.

# TL080 THRU TL085, TL080A THRU TL084A TL081B, TL082B, TL084B JFET-INPUT OPERATIONAL AMPLIFIERS

operating characteristics,  $V_{CC\pm} = \pm 15 \text{ V}$ ,  $T_A = 25^\circ \text{C}$

PARAMETER	TEST CONDITIONS	MIN	TYP	MAX	UNIT
SR Slew rate at unity gain	$V_i = 10 \text{ V}$ , $R_L = 2 \text{ k}\Omega$ , $C_L = 100 \text{ pF}$ , See Figure 1	8	13		$\text{V}/\mu\text{s}$
$t_r$ Rise time	$V_i = 20 \text{ mV}$ , $R_L = 2 \text{ k}\Omega$ , $C_L = 100 \text{ pF}$ , See Figure 1		0.05		$\mu\text{s}$
Overshoot factor			20%		
$V_n$ Equivalent input noise voltage	$R_S = 100 \Omega$ , $f = 1 \text{ kHz}$		18		$\text{nV}/\sqrt{\text{Hz}}$
	$f = 10 \text{ Hz to } 10 \text{ kHz}$		4		$\mu\text{V}$
$I_n$ Equivalent input noise current	$R_S = 100 \Omega$ , $f = 1 \text{ kHz}$		0.01		$\text{pA}/\sqrt{\text{Hz}}$
THD Total harmonic distortion	$V_{O(\text{rms})} = 10 \text{ V}$ , $R_S \leq 1 \text{ k}\Omega$ , $R_L \geq 2 \text{ k}\Omega$ , $f = 1 \text{ kHz}$		0.003%		

2

Operational Amplifiers

## PARAMETER MEASUREMENT INFORMATION

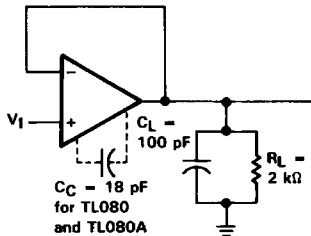


FIGURE 1. UNITY-GAIN AMPLIFIER

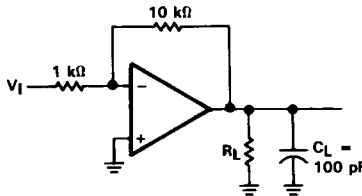


FIGURE 2. GAIN-OF-10  
INVERTING AMPLIFIER

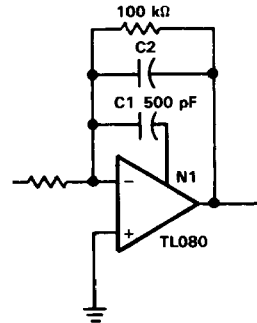


FIGURE 3. FEED-FORWARD  
COMPENSATION

## INPUT OFFSET VOLTAGE NULL CIRCUITS

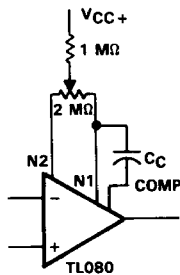


FIGURE 4

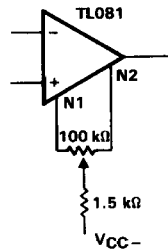


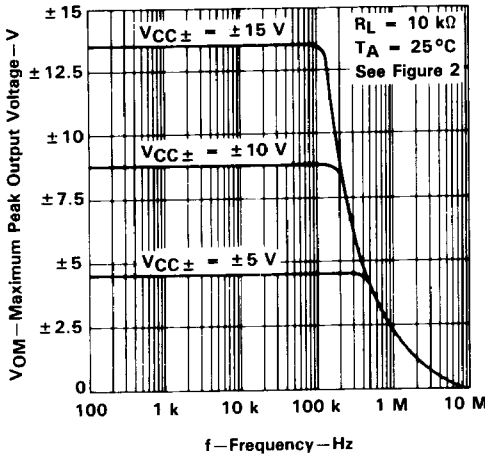
FIGURE 5

**TL080 THRU TL085, TL080A THRU TL084A  
TL081B, TL082B, TL084B  
JFET-INPUT OPERATIONAL AMPLIFIERS**

**TYPICAL CHARACTERISTICS†**

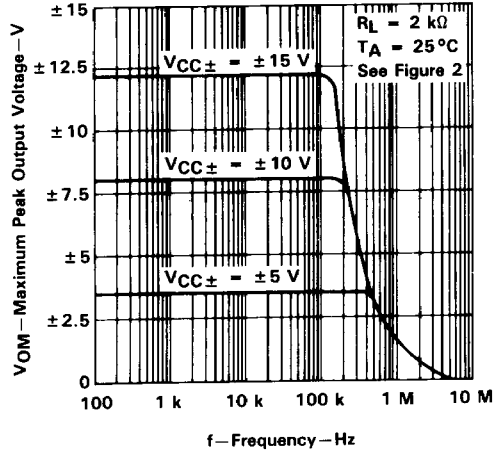
**2  
Operational Amplifiers**

**MAXIMUM PEAK OUTPUT VOLTAGE  
vs  
FREQUENCY**



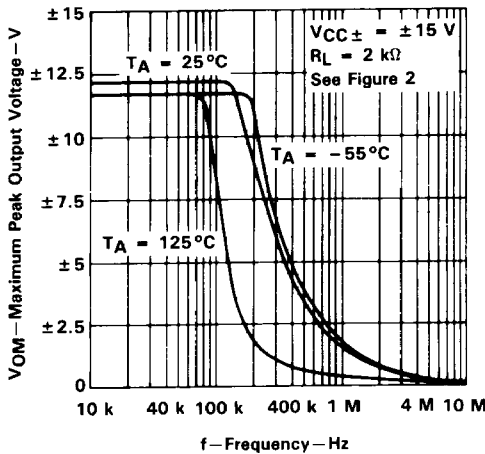
**FIGURE 6**

**MAXIMUM PEAK OUTPUT VOLTAGE  
vs  
FREQUENCY**



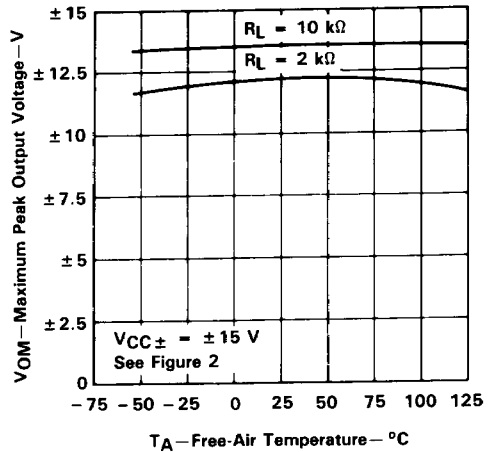
**FIGURE 7**

**MAXIMUM PEAK OUTPUT VOLTAGE  
vs  
FREQUENCY**



**FIGURE 8**

**MAXIMUM PEAK OUTPUT VOLTAGE  
vs  
FREE-AIR TEMPERATURE**



**FIGURE 9**

† Data at high and low temperatures are applicable only within the rated operating free-air temperature ranges of the various devices. A 12-pF compensation capacitor is used with TL080 and TL080A.

**TL080 THRU TL085, TL080A THRU TL084A  
TL081B, TL082B, TL084B  
JFET-INPUT OPERATIONAL AMPLIFIERS**

**TYPICAL CHARACTERISTICS†**

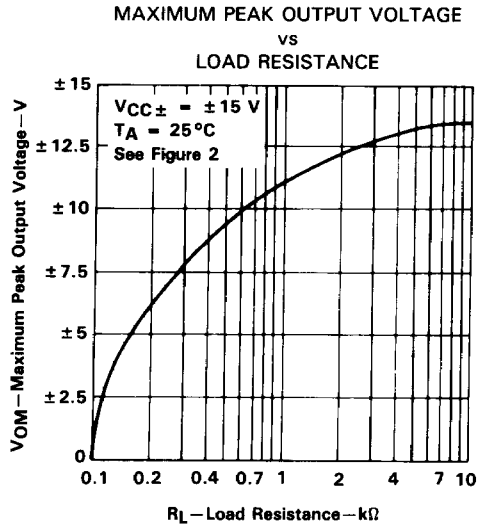


FIGURE 10

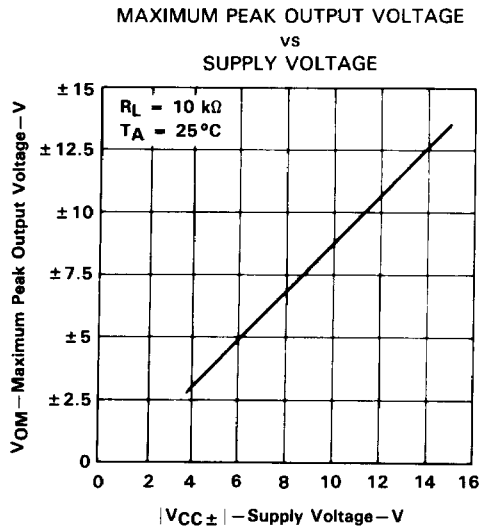


FIGURE 11

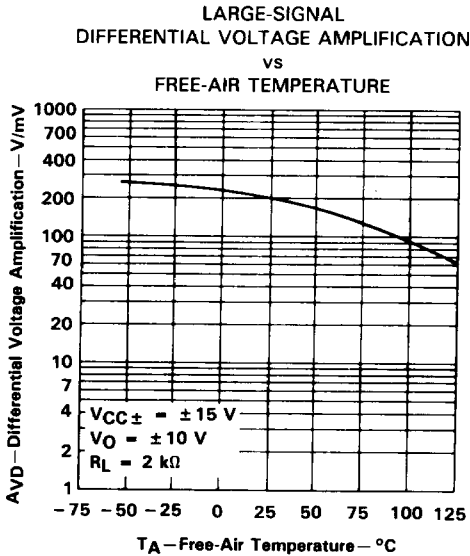


FIGURE 12

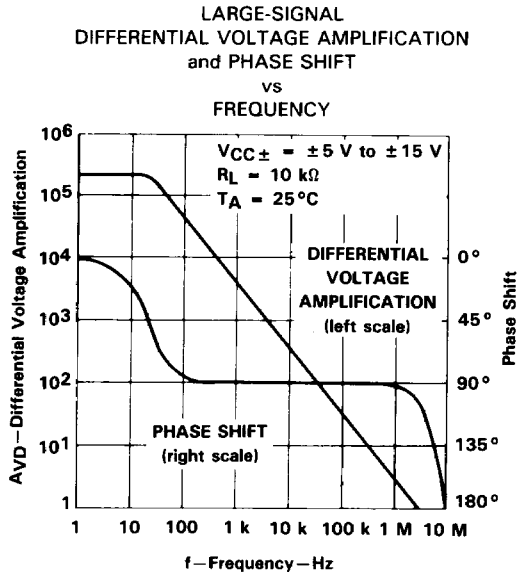


FIGURE 13

† Data at high and low temperatures are applicable only within the rated operating free-air temperature ranges of the various devices. A 12-pF compensation capacitor is used with TL080 and TL080A.

**TL080 THRU TL085, TL080A THRU TL084A  
TL081B, TL082B, TL084B  
JFET-INPUT OPERATIONAL AMPLIFIERS**

**TYPICAL CHARACTERISTICS†**

**2  
Operational Amplifiers**

TL080, TL080A  
DIFFERENTIAL VOLTAGE AMPLIFICATION  
vs  
FREQUENCY WITH FEED-FORWARD COMPENSATION

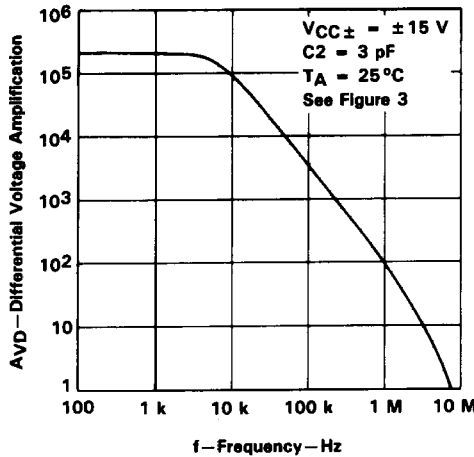


FIGURE 14

TOTAL POWER DISSIPATED  
vs  
FREE-AIR TEMPERATURE

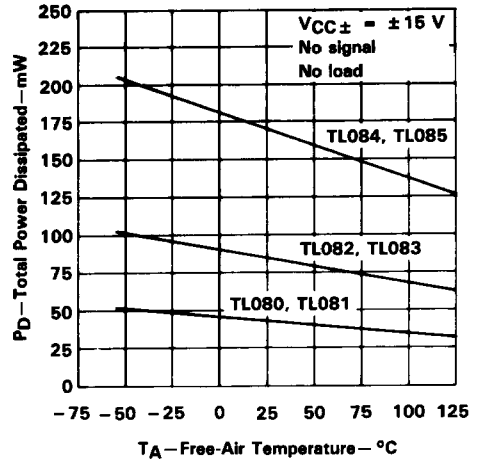


FIGURE 15

SUPPLY CURRENT PER AMPLIFIER  
vs  
FREE-AIR TEMPERATURE

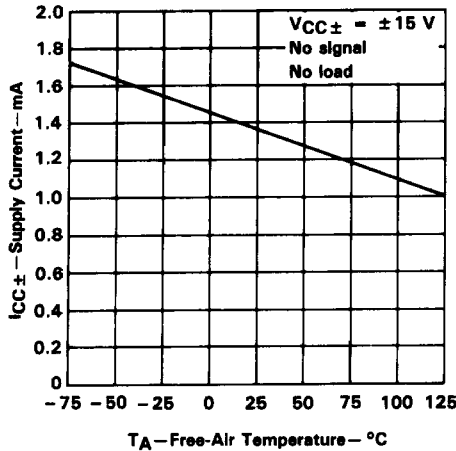


FIGURE 16

SUPPLY CURRENT  
vs  
SUPPLY VOLTAGE

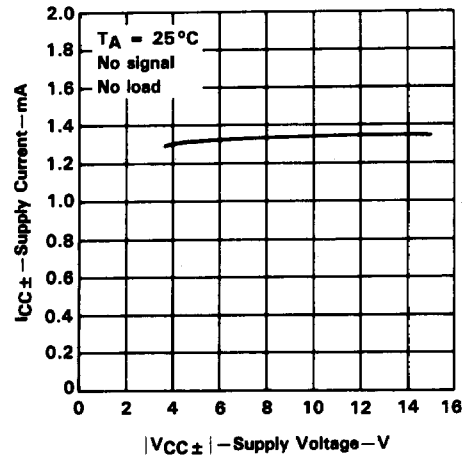
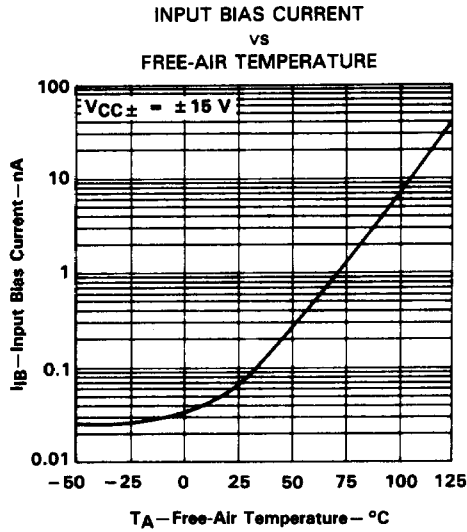


FIGURE 17

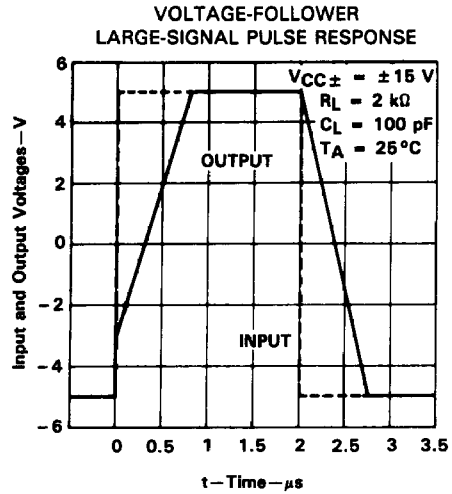
† Data at high and low temperatures are applicable only within the rated operating free-air temperature ranges of the various devices. A 12-pF compensation capacitor is used with TL080 and TL080A.

**TL080 THRU TL085, TL080A THRU TL084A  
TL081B, TL082B, TL084B  
JFET-INPUT OPERATIONAL AMPLIFIERS**

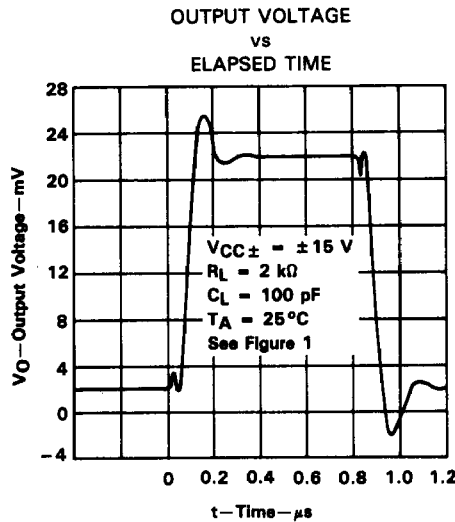
**TYPICAL CHARACTERISTICS†**



**FIGURE 18**



**FIGURE 19**



**FIGURE 20**

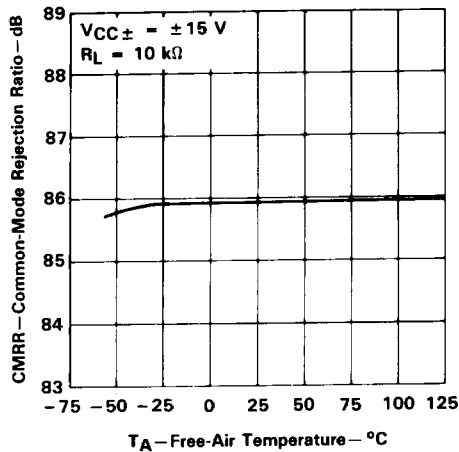
† Data at high and low temperatures are applicable only within the rated operating free-air temperature ranges of the various devices. A 12-pF compensation capacitor is used with TL080 and TL080A.

**2**  
Operational Amplifiers

**TL080 THRU TL085, TL080A THRU TL084A  
TL081B, TL082B, TL084B  
JFET-INPUT OPERATIONAL AMPLIFIERS**

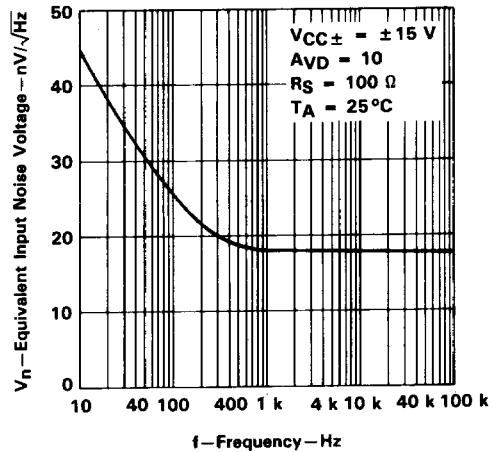
**TYPICAL CHARACTERISTICS†**

**COMMON-MODE REJECTION RATIO  
vs  
FREE-AIR TEMPERATURE**



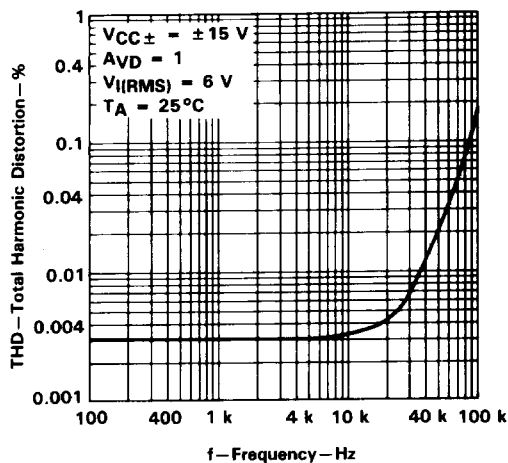
**FIGURE 21**

**EQUIVALENT INPUT NOISE VOLTAGE  
vs  
FREQUENCY**



**FIGURE 22**

**TOTAL HARMONIC DISTORTION  
vs  
FREQUENCY**



**FIGURE 23**

† Data at high and low temperatures are applicable only within the rated operating free-air temperature ranges of the various devices. A 12-pF compensation capacitor is used with TL080 and TL080A.

TYPICAL APPLICATION DATA

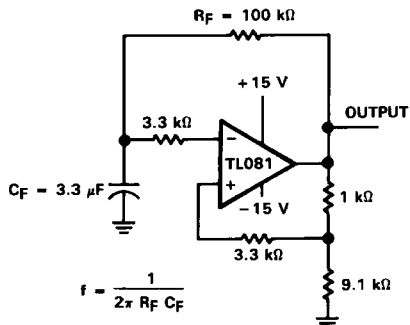


FIGURE 24. 0.5-Hz SQUARE-WAVE OSCILLATOR

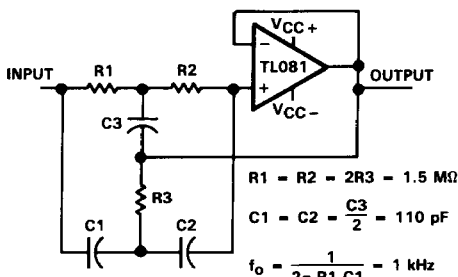


FIGURE 25. HIGH-Q NOTCH FILTER

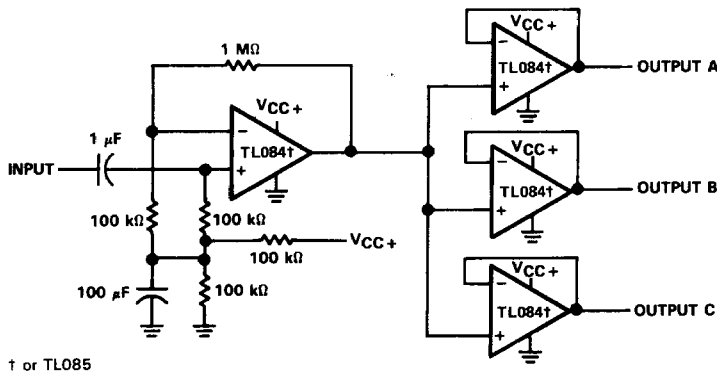


FIGURE 26. AUDIO DISTRIBUTION AMPLIFIER

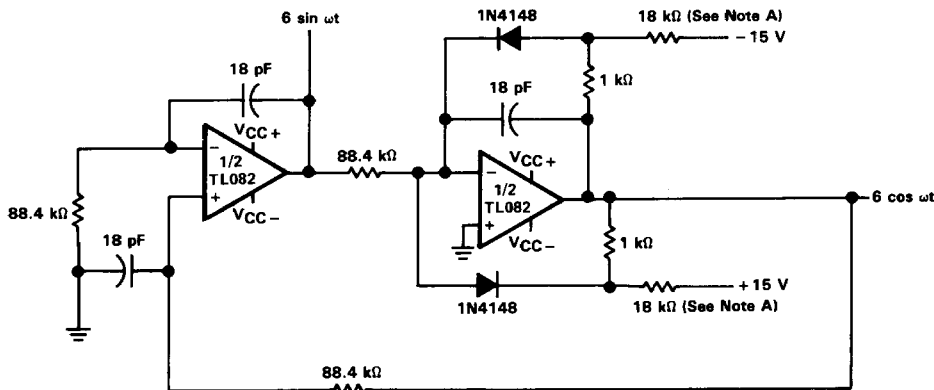
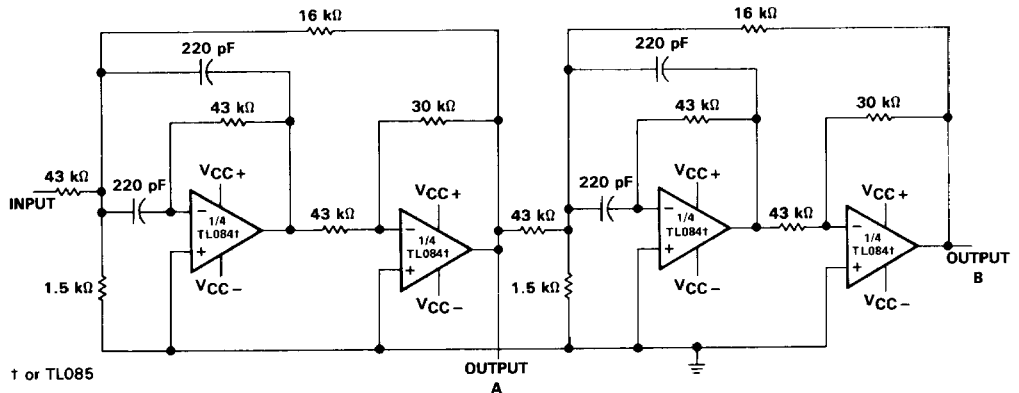


FIGURE 27. 100-KHZ QUADRATURE OSCILLATOR

**TL080 THRU TL085, TL080A THRU TL084A  
TL081B, TL082B, TL084B  
JFET-INPUT OPERATIONAL AMPLIFIERS**

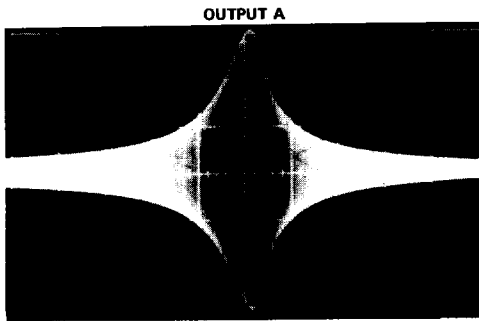
**TYPICAL APPLICATION DATA**



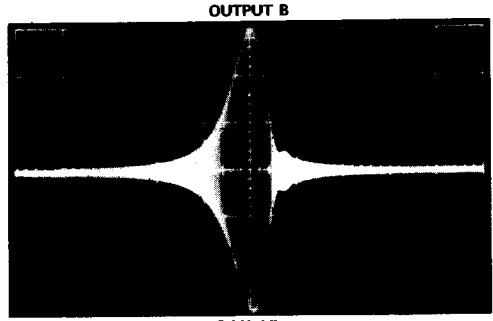
1 or TL085

OUTPUT A

OUTPUT B

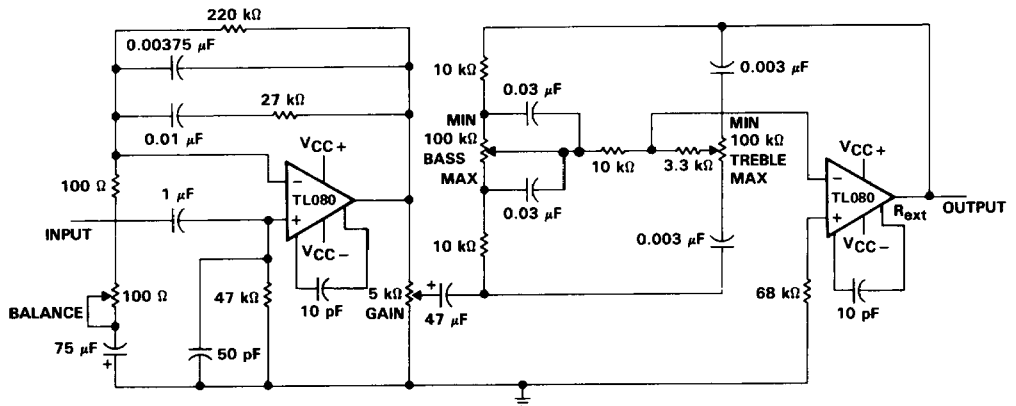


2 kHz/div  
SECOND-ORDER BANDPASS FILTER  
 $f_0 = 100 \text{ kHz}$ ,  $Q = 30$ , GAIN = 4



2 kHz/div  
CASCADED BANDPASS FILTER  
 $f_0 = 100 \text{ kHz}$ ,  $Q = 69$ , GAIN = 16

**FIGURE 28. POSITIVE-FEEDBACK BANDPASS FILTER**



**FIGURE 29. IC PREAMPLIFIER**

**2**  
Operational Amplifiers